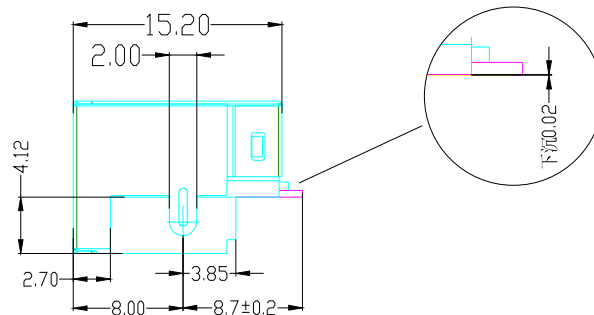
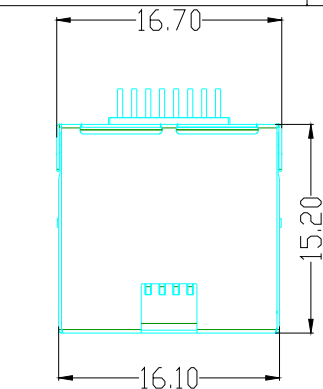


REV	ECN NO.	DATE



主要参数:

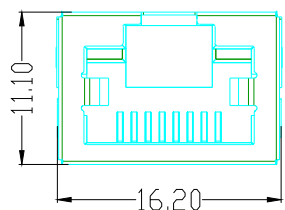
1. 额定电压. 电流: 125V/1.5A max
2. 接触电阻: 40m Ω Max 初始态 100 Ω Max 最终态
3. 绝缘电阻: 500M Ω Min
4. 试验条件: DC500V/5.0mA for 1 minute
5. 盐雾测试: 8±0.5H

A

A

B

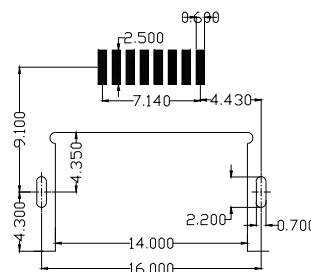
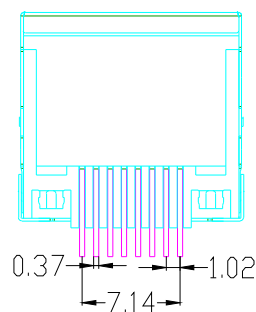
B



其他要求:

未注尺寸公差为±0.15mm

C



PCB参考图

e	LED	1		YELLOW	
d	LED	1		GREEN	
c	Shielding	1	Brass	Ni Plating	
f	COVER	1	LCP+15% G.F UL94V-0	BLACK	
b	Terminal	8	Phosphor Bronze	PLATING & COLOR	
a	Housing	1	LCP+15% G.F UL94V-0	BLACK	
NO.	PART NAME	Q'TY	MATERIAL	Material & Plating	Remark

RoHS Compliant

TOLERANCES 公差		DATE 日期	2011-03-11		Coorle 库乐科技	
mm	±	MATERIAL 材质				
.0±0.30	±	FINISH 电镀			TITLE 品名	
.00±0.25	±	SCALE 比例	1:1	UNIT 单位	mm	PART NO. 料号
.000±0.10	±	THIRD ANGLE PROJECTION	Designed 设计	Checked 审核	Approved 核准	SIZE A4
ANGLES ± 1°					SHEET OF	

D

D

1

2

3

4